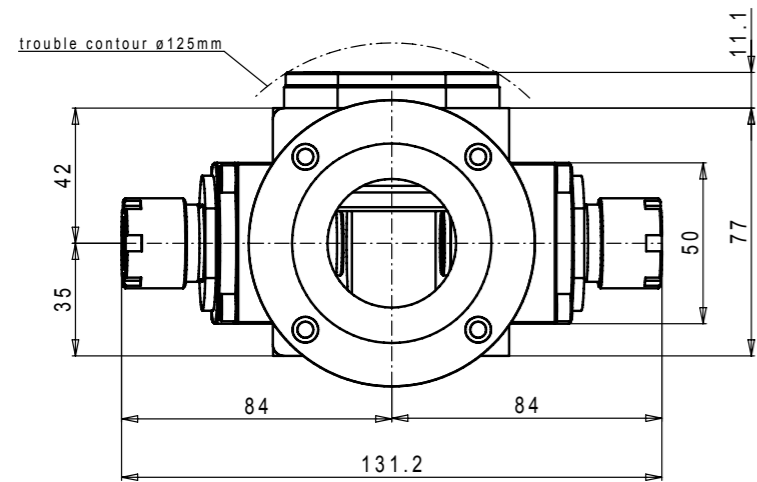
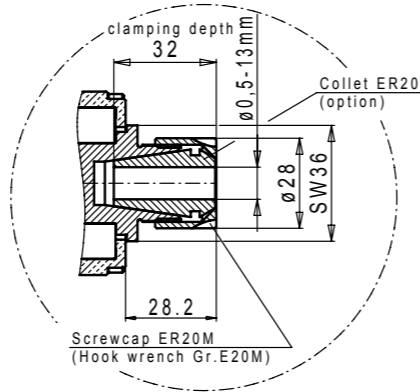


Collet receptacle Hi-Q/ERM20



Technical features

Item Id.	EP-030840
drive turning direction	L.H.
drive speed max.	permanent operation 1.000 – 14.400 rpm interval operation 1.000 – 18.000 rpm
number of spindles	2
spindle position	max. 10° tilted up or down
tool receptacle	2x Hi-Q/ERM20 DIN6499-C (8°) for collet ER20 DIN6499-B (Ø0,5mm – Ø13mm)
gear ratio	1 : 1 – wheel drive
turning direction of tool receptacle	opposite to drive turning direction
spindle speed max.	permanent operation 1.000 – 14.400 rpm interval operation 1.000 – 18.000 rpm
drive capacity	3,0 kW
weight without drive adapter	approx. 2,00 kg

Optional accessories:

Open end spanner SW 36	Item Id. 131036
Key for collet	Item Id. 137001
Lubrication press	Item Id. 980003

The angular heads of the series G07 offer you the possibility to choose an angular head with a fixed spindle position between 10° bended up and up to 10° bended down. In the two-spindle-execution the 180° opposite tool receptacle may have an other angle than the other tool receptacle. The determined angle cannot be modified afterwards. The spindle turning direction is opposite to the drive turning direction. The drive speed is transferred to the tool receptacles in a ratio of 1:1. The maximum spindle speed in interval operation is 18,000 rpm.

The Item Id. EP-030820 denominates the angular drilling head W07-2.2-P only, but does not determine a specific spindle position. It is necessary in case of an order to indicate the requested angle of the milling spindle in addition to the Item Id. Corresponding to your order you will receive the final Item Id. within the order confirmation for the angular milling head you ordered. This Item Id. then applies for this specific configuration and can be used in case of further orders without additional information.

Variants on demand!

