

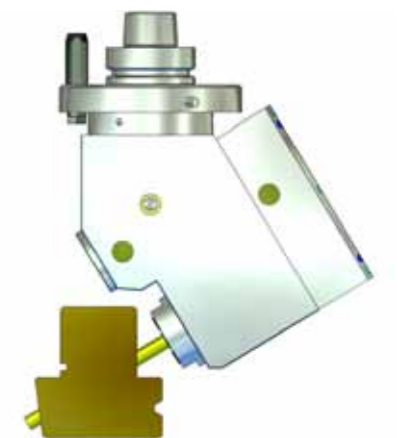
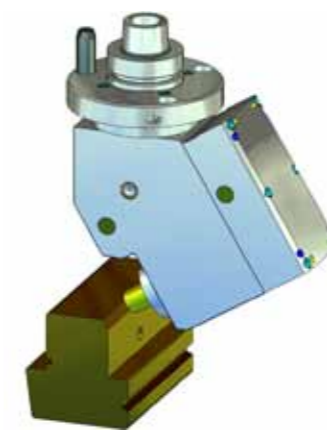
Technical features

Item Id.	EP-035601
drive turning direction	L.H.
drive speed max.	permanent operation 5.825 rpm
drive speed max.	interval operation 7.766 rpm
number of spindles	1
spindle position	31° down - fixed
tool receptacle	Hi-Q/ERAX32 with external thread (ø1-ø20 mm)
gear ratio	1 : 2,06 – gear and toothed belt drive
turning direction of tool receptacle	opposite to drive turning direction (R.H.)
spindle speed max.	permanent operation 12.000 rpm
spindle speed max.	interval operation 16.000 rpm
drive capacity	2,6 kW at 12.000 rpm
weight without drive adapter	approx. 5,80 kg

Optional accessories:

- Open end spanner SW46-flat Item Id. 131247
- Key for collet ER32- AX Item Id. 137011
- Lubrication press Item Id. 980003

The angular milling heads W56 are equipped with one processing spindle, which can be arranged in a determined angle from 15 ° up to a maximum of 31 ° downward. The determined angle cannot be changed later. The spindle turning direction is opposite to the drive turning direction. The drive speed is transferred in a ratio of 1:2,06 to the tool receptacle. The maximum spindle speed is 16,000 rpm in interval operation.



Variants on demand!