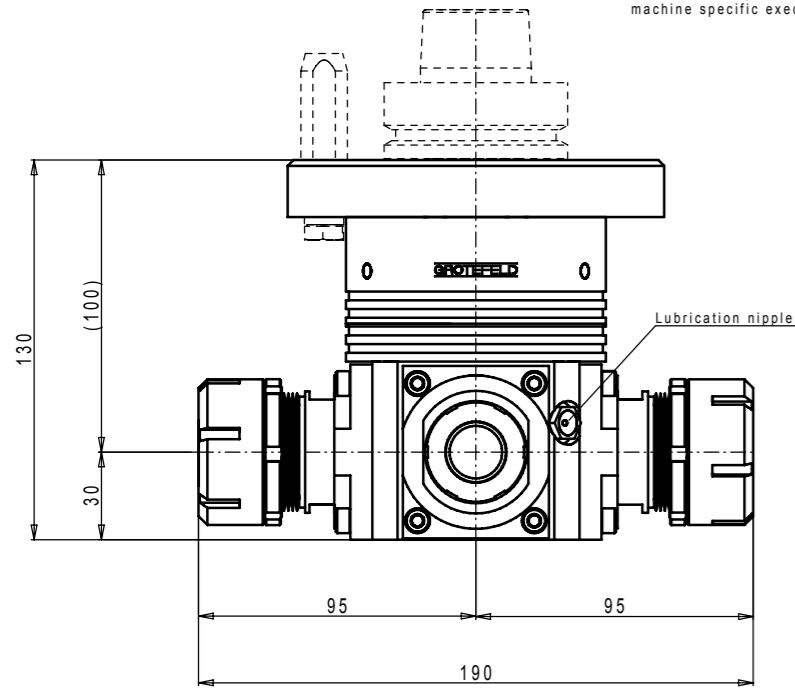
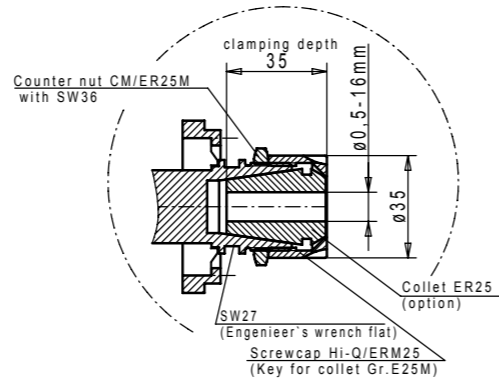


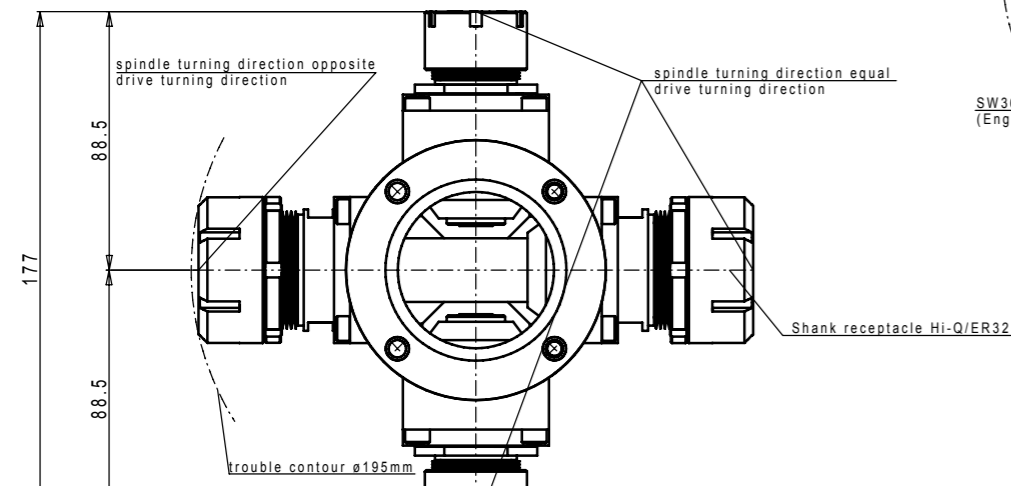
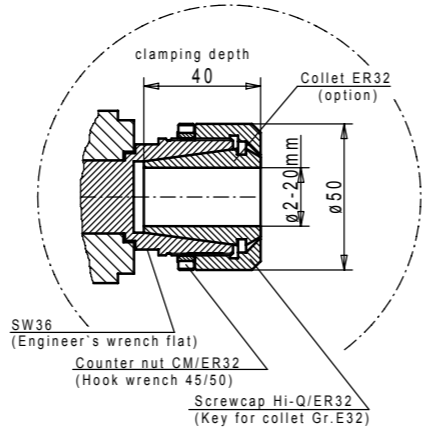
Drive adapter
Standard configurations and machine specific executions upon request



Collet receptacle Hi-Q/ERM25



Shank receptacle Hi-Q/ER32



Technical features

Item Id.	EP-030901
drive turning direction	R.H./L.H.
drive speed max.	permanent operation 6.000 rpm
number of spindles	3
spindle position	1x horizontal 180° against – A=71mm
spindle position	7,0° down
tool receptacle	Ø10H7
gear ratio	1 : 1 – wheel drive
turning direction of tool receptacle	2x equal to drive turning operation 1x opposite to drive turning operation
spindle speed max.	permanent operation 6.000 rpm
drive capacity	1,7 kW
weight with drive adapter	approx. 2,50 kg

Optional accessories:

Hex-wrench SW3	Item Id. 138040
Open end spanner SW17	Item Id. 131017
Lubrication press	Item Id. 980003

The angular heads of the series W09 offer you the possibility to choose an angular head with a fixed spindle position between 10° bended up and up to 10° bended down. The determined angle cannot be modified afterwards. The spindle turning direction is right / left. The drive speed is transferred to the tool receptacles in a ratio of 1:1. The maximum spindle speed in interval operation is 18,000 rpm.

Variants on demand!

