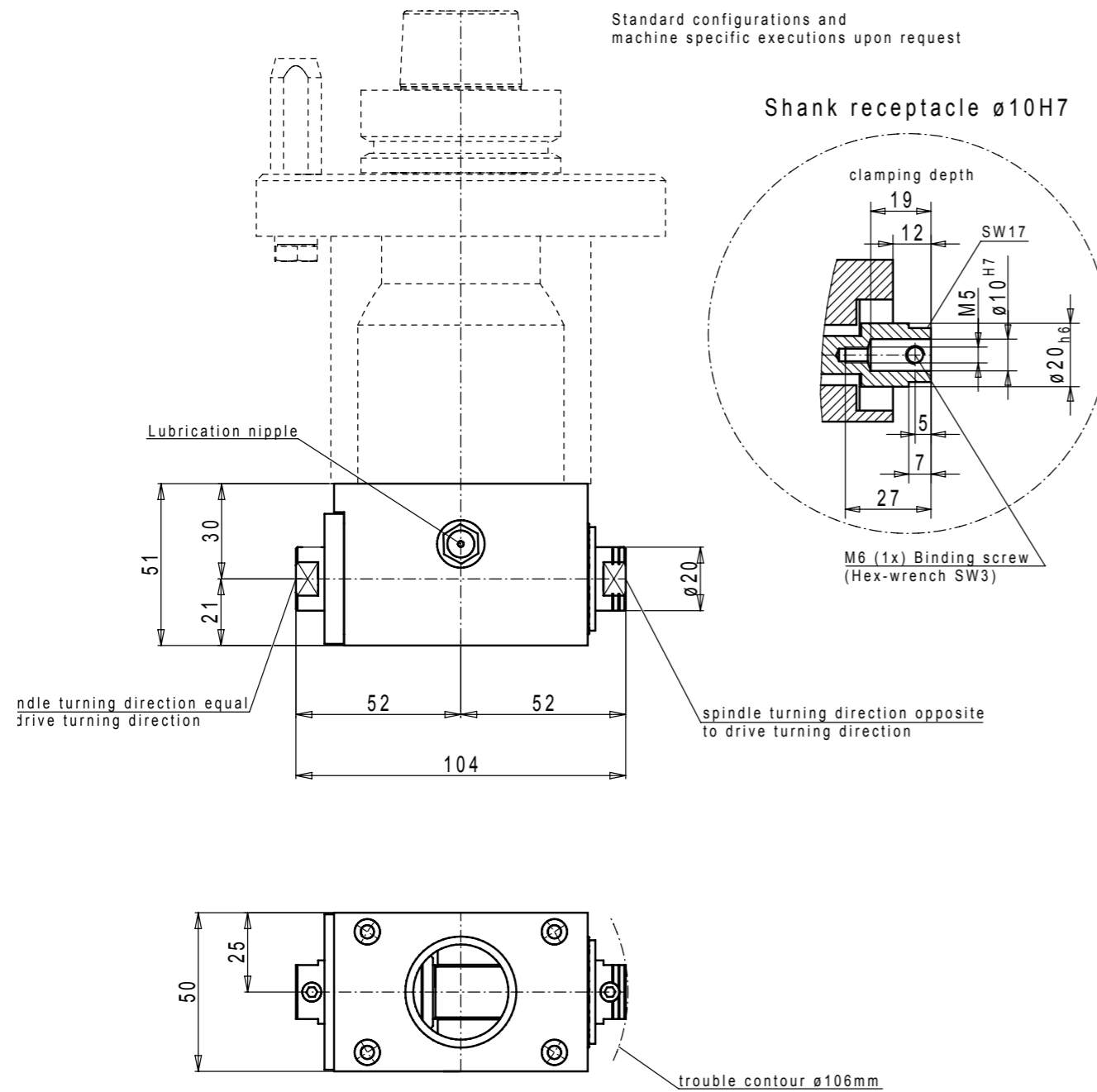


Drive adapter

Standard configurations and
machine specific executions upon requestShank receptacle $\varnothing 10H7$ **Technical features**

Item Id.	EP-031901
drive turning direction	R.H.
drive speed max.	permanent operation 1.000 – 12.000 rpm
number of spindles	1
spindle position	horizontal / 180° opposite towards each other
tool receptacle	2x $\varnothing 10H7$ with Binding screw
gear ratio	1 : 1 – gear driven
turning direction of tool receptacle	1x equal to drive turning direction 1x opposite to drive turning direction
spindle speed max.	permanent operation 1.000 – 12.000 rpm
drive capacity	1,7 kW
weight without drive adapter	approx. 0,70 kg

Optional accessories:

Open end spanner SW17

Item Id. 131017

Hex-wrench SW3

Item Id. 138030

Lubrication press

Item Id. 980003

The angular drilling head W19-1.2-B suits for drilling and light milling work due to its construction.

With accordingly extended drive cover and special tools, it is often used for „edge notching“ from pre-milled grooves etc.

Variants on demand!