

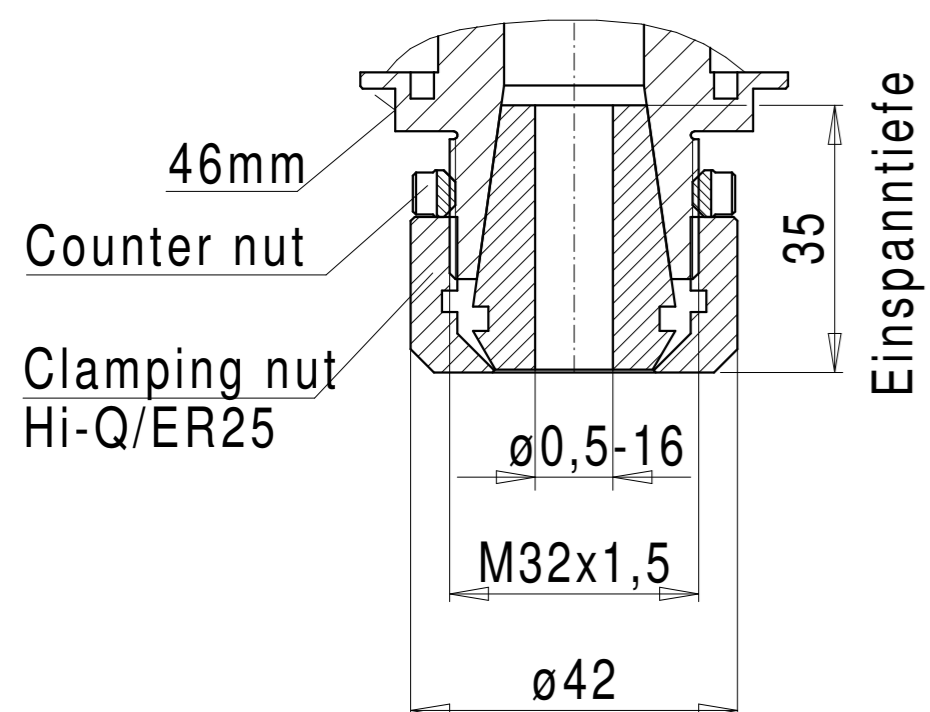
Drive Coupling  
MAZAK Compact 300

Torque support

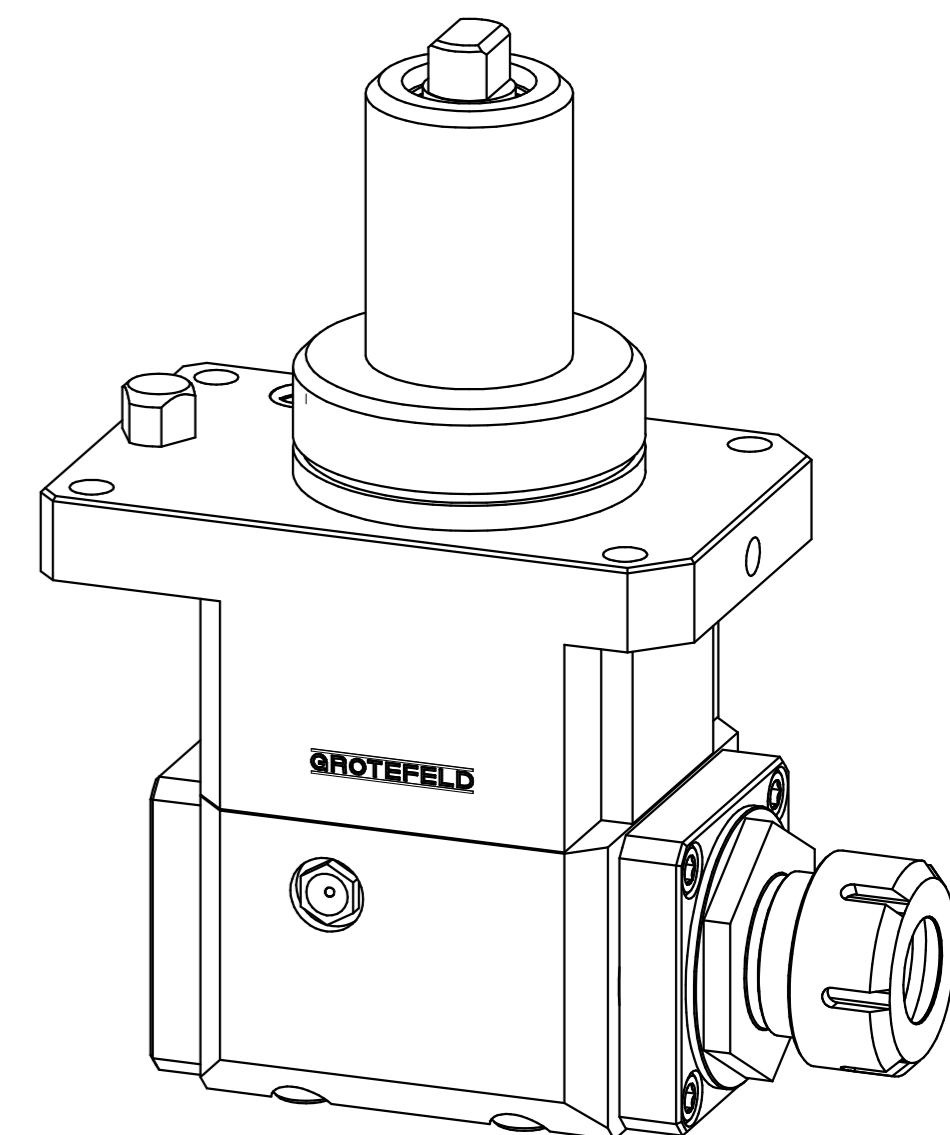
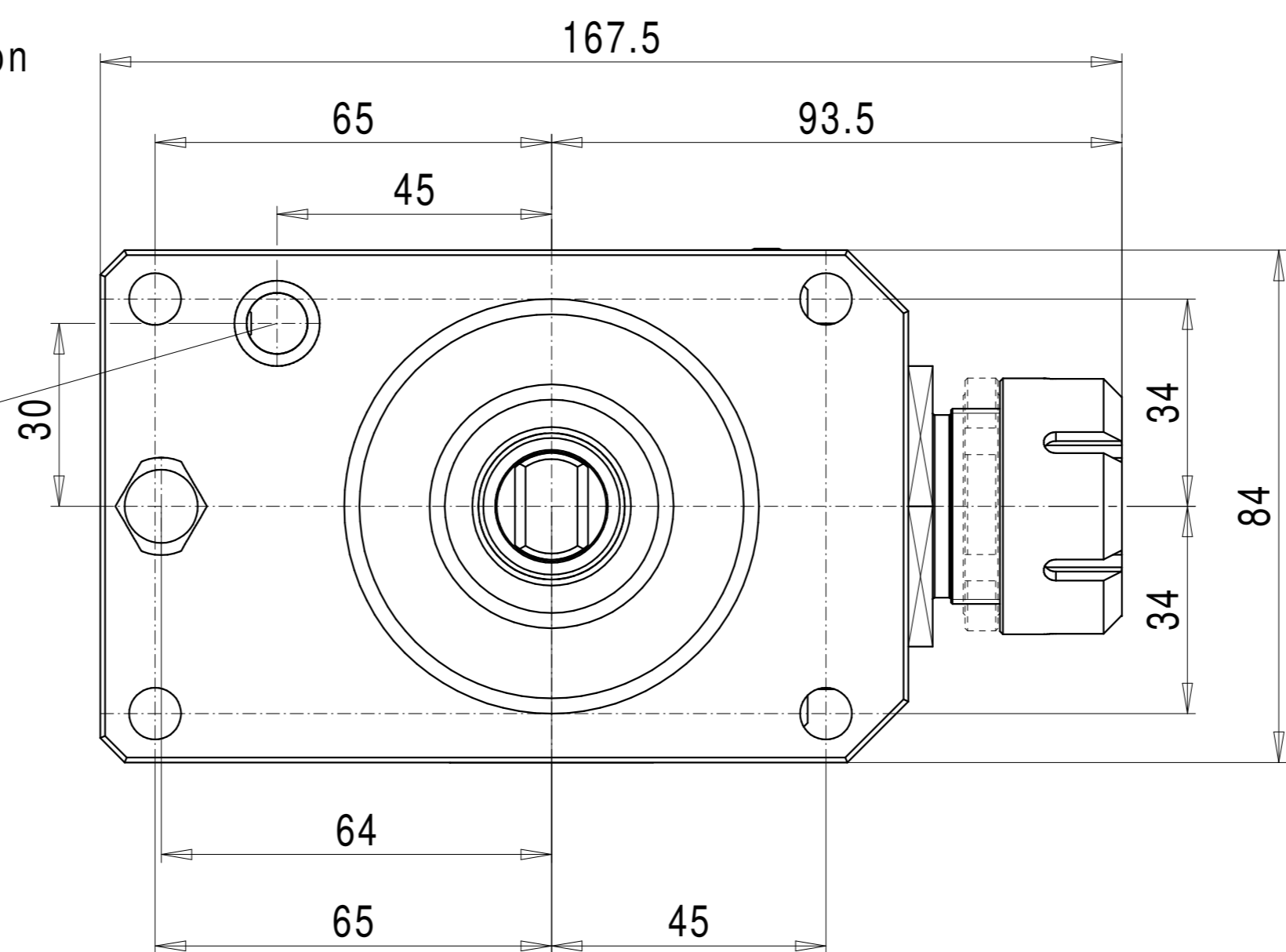
Connection for cooling  
water G1/8

Collet chuck holder  
Hi-Q/ER25, direction of rotation  
against the drive rotation  
direction

Detail X  
Collet chuck holder Hi-Q/ER25



Hole for cooling water,  
Sealing by O-ring



Technical data:

Drive direction: R. H. / L. H.

Gear ratio:  $i=1:1.5$  - wheel drive

Continuous operation  
max. drive speed: 6.000 1/min  
max. spindle speed: 9.000 1/min

Drive power: max. 3,0kW

Tool holders: Hi-Q/ER25

Direction of rotation of the tool holder:  
against the direction of rotation of the drive

weight: 8,0 kg