

# 带开关触点的压力表，不锈钢外壳黄铜支架

**DN 80/100/150/200**

## 概述

Gauge with an excellent long service life. They are suitable for chemical/ petrochemical industries, power plants and plant construction.

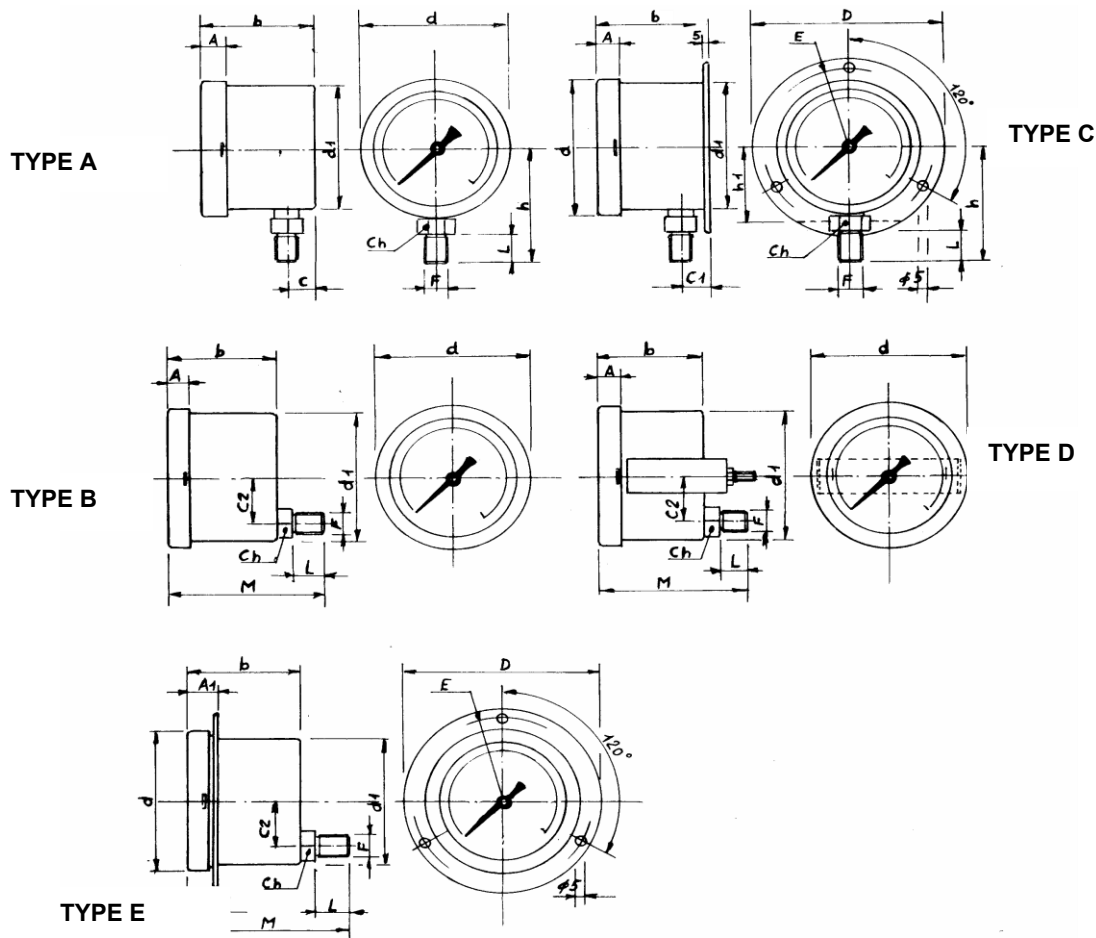


安德鲁信重工江苏有限公司

地址：江苏省江阴市澄江东路3号 电话：0510-86199978 86199979 传真：0510-86199980  
网址：www.andrewen.com www.andrewen.net 邮箱：info@andrewen

单位：毫米

DN 80/100/150/200



DN	TYPE	F	L	A	A1	b1	b2	b3	b4	d	d1	D	E	h	ch
80	AC	1/4 - 3/8 - 1/2	20	14	-	71	-	-	-	90	79	110	94	85	22
80	BDE	1/4 - 3/8 - 1/2	20	14	21	71	-	-	-	90	79	110	94	-	22

DN	TYPE	F	L	A	A1	b1	b2	b3	b4	d	d1	D	E	h	ch
100	AC	1/4 - 3/8 - 1/2	20	14	-	71	80	90	100	113	99	132	116	95	22
100	BDE	1/4 - 3/8 - 1/2	20	14	23	71	80	90	100	113	99	132	116	-	22

DN	TYPE	F	L	A	A1	b1	b2	b3	b4	d	d1	D	E	h	ch
150	AC	1/4 - 3/8 - 1/2	20	18	-	71	80	90	100	166	148	195,5	178	120	22
150	BDE	1/4 - 3/8 - 1/2	20	18	24	71	80	90	100	166	148	195,5	178	-	22

DN	TYPE	F	L	A	A1	b1	b2	b3	b4	d	d1	D	E	h	ch
200	AC	1/4 - 3/8 - 1/2	20	20	-	71	80	90	100	218	199,5	243	220	145	22
200	BDE	1/4 - 3/8 - 1/2	20	20	34	71	80	90	100	218	199,5	243	220	-	22

<b>b1</b>	Dimensions with simple contact
<b>b2</b>	Dimensions with double connecting and disconnecting
<b>b3</b>	Dimensions with triple connecting –single change- over and inductive
<b>b4</b>	Dimensions with triple disconnecting – double change-over and quadruple



安德鲁信重工江苏有限公司

地址：江苏省江阴市澄江东路3号 电话：0510-86199978 86199979 传真：0510-86199980  
 网址：www.andrewen.com www.andrewen.net 邮箱：info@andrewen

## 技术参数

适用标准 : EN 837-1

公称尺寸(mm): 80, 100, 150, 200

范围: from -1 bar up to 600 bar as a pressure

**Accuracy (\*)** : 1,6

环境温度: -20+60°C

工艺温度: max 60°C

操作压力: : static 75% of the full scale value

工作压力: not suitable

保护等级: IP 54 according to IEC 529 - IP 65 with filling

liquid 表壳: : stainless steel

密封圈 : stainless steel, bayonet lock

刻度盘: white aluminium , black markings

指针: not resettable, black aluminium

表玻璃: glass 3 mm thickness

表玻璃垫: EPDM

传感器元件: Bourdon spring copper braided

动作: brassy

支架 : AISI 316 st.st. – Thread 1/2 – 3/8 – 1/4 BSP

NPT on request

**Electrical connections:** electric cable section 0.75 mm<sup>2</sup> with sheath secured with cable gland. Junction box IP 65 at 3 or 6 poles

**Electrical contacts :** low-action or snap-action, single- double – triple - quadruple – single or double change-over

**Contact specification:** max voltage 250 V

max load 10 W- 18 VA / 30W -

50VA 温度漂移 :±0,4% /10°C of the full scale value

(taking 20°C as the datum temperature)

(\*)The addition of mechanical electric contacts affects the accuracy of instruments such that 1% becomes 1,5%, (add the 50% of the accuracy of the instrument).



安德鲁信重工江苏有限公司

地址: 江苏省江阴市澄江东路3号 电话: 0510-86199978 86199979 传真: 0510-86199980

网址: www.andrewen.com

www.andrewen.net

邮箱: info@andrewen

## 可选项

**Electrical contact adjustment** : from external by adjusting knob placed on the window (plexiglass), also watertight.

**Restrictor**: Ø 4 applicable to the pressure connection in order to reduce the process fluid entry speed into the instrument.

**Special scales** : available with different pressure scales and double scales

**Filling liquid**: Glycerine 98 % - Silicone oil

The 技术参数, wiring and connection schemes are visible on the “Electrical contact” table.



安德鲁信重工江苏有限公司

地址: 江苏省江阴市澄江东路3号 电话: 0510-86199978 86199979 传真: 0510-86199980  
网址: [www.andrewen.com](http://www.andrewen.com) [www.andrewen.net](http://www.andrewen.net) 邮箱: [info@andrewen](mailto:info@andrewen)