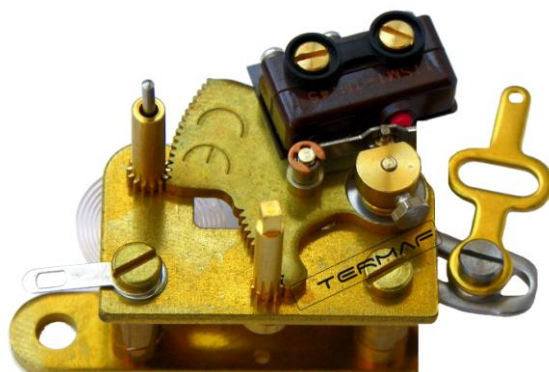


带微触点开关的压力表，DN60

概述

These instruments determine with accuracy the automatic control on hydraulic and fluidic circuits.

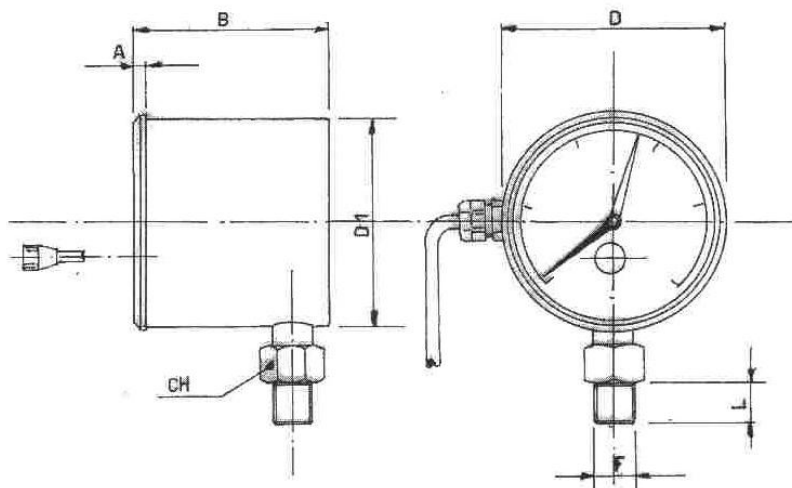


安德鲁信重工江苏有限公司

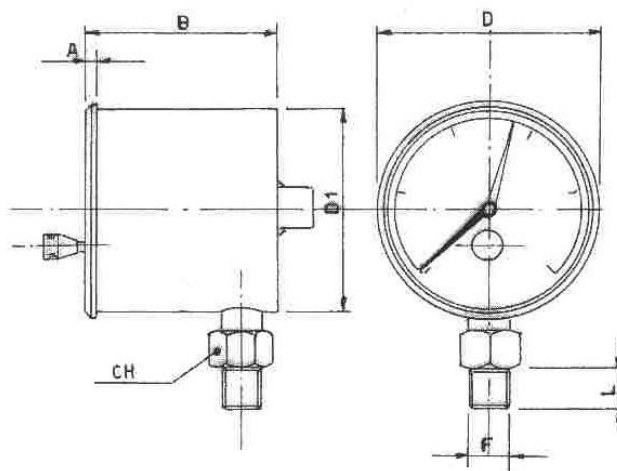
地址：江苏省江阴市澄江东路3号 电话：0510-86199978 86199979 传真：0510-86199980
网址：www.andrewen.com www.andrewen.net 邮箱：info@andrewen

DIMENSIONS

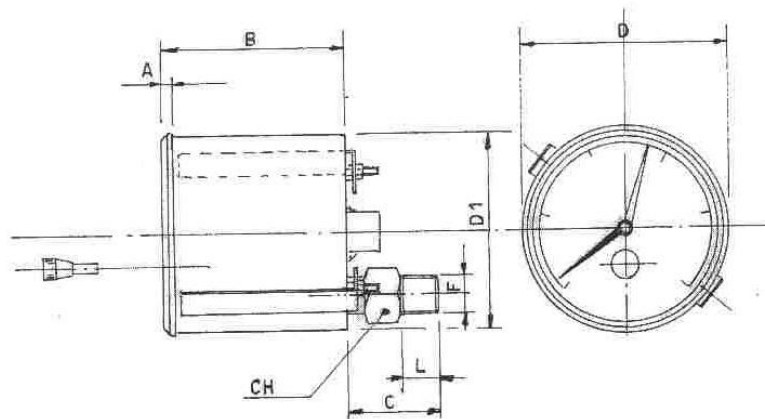
TYPE A



TYPE B



TYPE C



DN	TYPE	Threaded Connection	L	A	C	D1	D	B	Ch.¼
60	A	1/4 BSP	19	5	-	60	64	56	22
60	B	1/4 BSP	19	5	-	60	64	56	22
60	C	1/4 BSP	19	5	27	60	64	56	22



安德鲁信重工江苏有限公司

地址: 江苏省江阴市澄江东路3号
网址: www.andrewen.com

电话: 0510-86199978 86199979
www.andrewen.net

传真: 0510-86199980
邮箱: info@andrewen

技术参数

适用标准 : EN 837-1

范围: from -1 bar; -76 cmhg for vacuum gauges up to 600 bar as a pressure

精度: $\pm 1,6\%$ FVS with the exception of pressure range which may change up to 2,5%

环境温度: -20+60°C

工艺温度: max +60°C

操作压力: (max for 15 min.) 75% of FVS for static pressures ; 66% of FVS for pulsating pressures.

保护等级: IP 44 according to IEC 529, UNI 8896

表壳: chrome plated steel

密封圈: chrome plated steel fringed

刻度盘: white aluminium, black markings.

指针: black aluminium

设置指针: red painted steel

Adjusting key : plastic

表玻璃: glass

弹簧管: phosphor bronze for pressures <60 bar; stainless steel for >60 bar

动作: UNI 5706 brass

支架: UNI 5705-65 brass

Welding : silver alloy and TIG welded for >60 bar

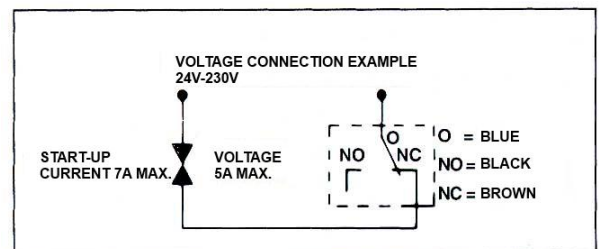
可选项

支架: AISI 316 st.st.

动作: UNI 5706 brass

MICROSWITCH ELECTRIC SPECIFICATION

Electric circuit	Voltage	Current Intensity
Inductive	30 V-DC – 250V-AC	2.5A - 4A
Resistive	30 V-DC – 250V-AC	5A - 4A
Electric cable 0,5mm ² (2.5 A.max.)		
START - UP CURRENT 7 A.MAX.		



安德鲁信重工江苏有限公司

地址: 江苏省江阴市澄江东路3号 电话: 0510-86199978 86199979 传真: 0510-86199980

网址: www.andrewen.com

www.andrewen.net

邮箱: info@andrewen