

# 双膜片压差计 DN100 - 150

## 概述

They are designed for measuring the differential pressure of fluids, both liquid and gaseous, even at high static pressures.

It's suitable for checking filter obstructions where the gauge might show pressure drops or flow rate differences. In the event that the process fluid is corrosive or which do not have high viscosity or do not crystallize, the instrument can be supplied with diaphragm seals.



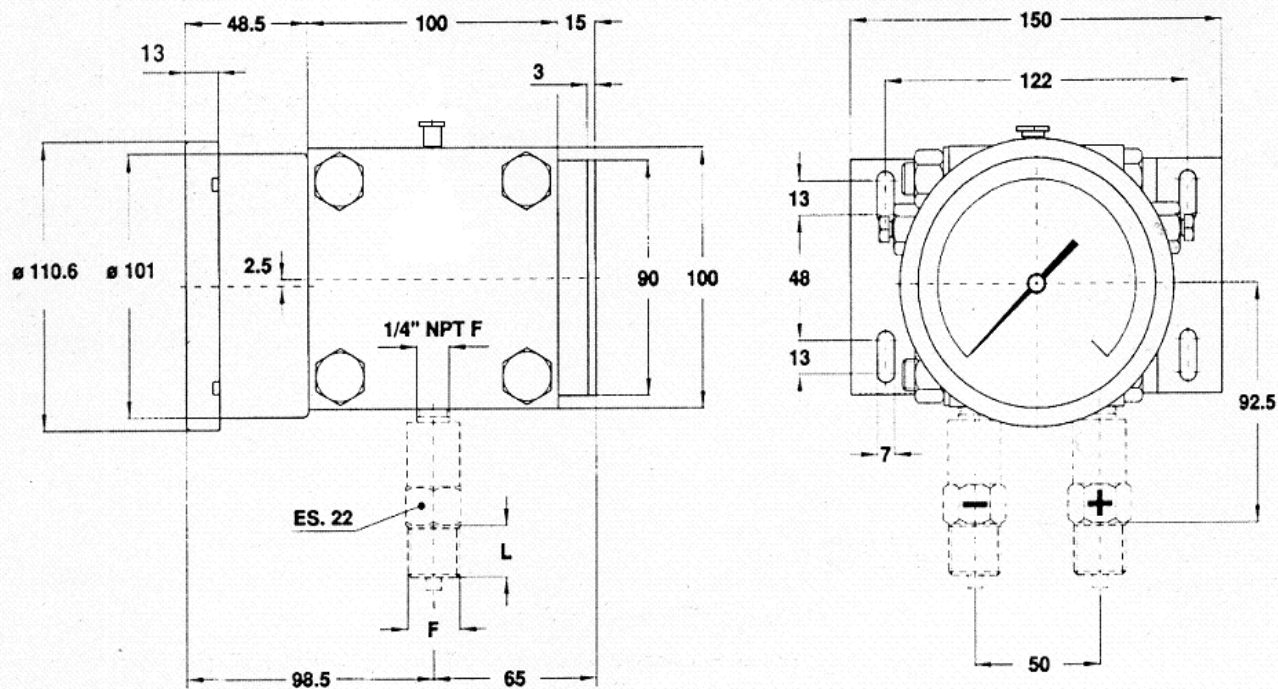
RANGES	STATIC ONE SIDE	STATIC TWO SIDES	SCALE AMPLITUDE	
			DS100	DS150
0 – 100 mbar	100 bar	100 bar	180°	180°
0 – 160 mbar	100 bar	100 bar	180°	180°
0 – 250 mbar	200 bar	200 bar	270°	180°
0 – 400 mbar	200 bar	200 bar	270°	180°
0 – 0,6 bar	200 bar	200 bar	270°	270°
0 – 1 bar	200 bar	200 bar	270°	270°
0 – 1,6 bar	200 bar	200 bar	270°	270°
0 – 2,5 bar	200 bar	200 bar	270°	270°
0 – 4 bar	200 bar	200 bar	270°	270°
0 – 6 bar	200 bar	200 bar	270°	270°
0 – 10 bar	200 bar	200 bar	270°	270°
0 – 16 bar	200 bar	200 bar	270°	270°
0 – 25 bar	200 bar	200 bar	270°	270°



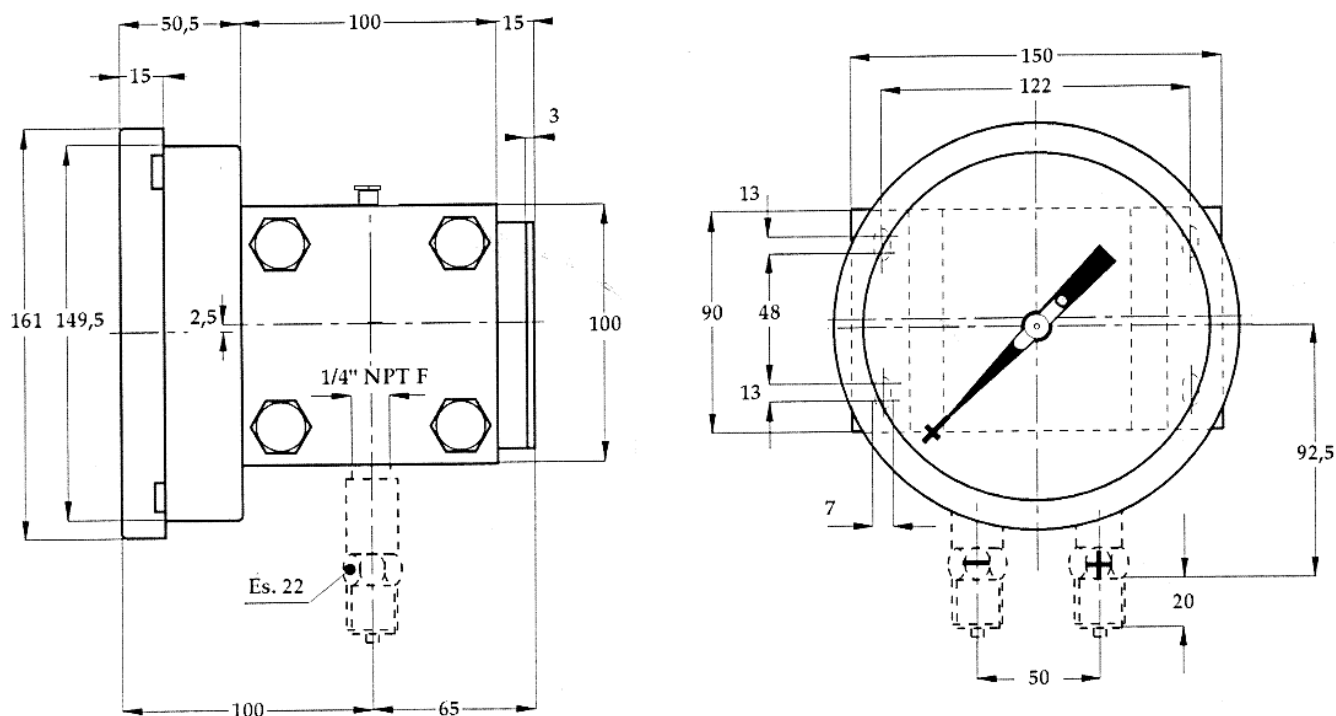
安德鲁信重工江苏有限公司

地址: 江苏省江阴市澄江东路3号 电话: 0510-86199978 86199979 传真: 0510-86199980  
 网址: www.andrewen.com www.andrewen.net 邮箱: info@andrewen

## DIMENSIONS DN 100 in mm



## DIMENSIONS DN 150 in mm



安德鲁信重工江苏有限公司

地址: 江苏省江阴市澄江东路3号 电话: 0510-86199978 86199979 传真: 0510-86199980  
 网址: www.andrewen.com www.andrewen.net 邮箱: info@andrewen

## 技术参数

适用标准 : EN 837-1

公称尺寸(mm): 100, 150

范围: from 100 Mbar to 25 bar

精度: class 1.6 according to EN 837-1

环境温度: -25+65°C

工艺流体温度: max. 100°C

保护等级: IP 55

传感器元件: double diaphragm in AISI 316 st.st.

表壳和密封圈: AISI 304 st.st.

填充液: silicone oil

垫圈: Viton and PTFE

刻度盘: white aluminium with black markings

指针: black aluminium , adjustable

表玻璃: glass, 4 mm thickness

表玻璃垫: EPDM

动作 : AISI 304

支架 : AISI 316L

温度漂移 : $\pm 0,4\%$  of FSV for each variation of 10°C taking 20°C as the datum temperature

## 可选项

电触点

表壳和密封圈 in AISI 316L

保护等级 IP 65

Filling with glycerine or silicone oil

2" pipe mounting bracket

Safety glass window

Oxygen service

保护等级: diaphragm in Monel or Hastelloy

276C Daphragm seals (coated st.st. capillary)

By-Pass manifold (mp 3/5)



安德鲁信重工江苏有限公司

地址: 江苏省江阴市澄江东路3号 电话: 0510-86199978 86199979 传真: 0510-86199980  
网址: www.andrewen.com www.andrewen.net 邮箱: info@andrewen

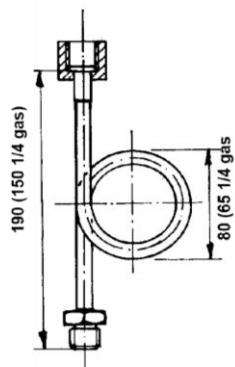
# 仪表附件

## PIGTAILS AND SYPHONS

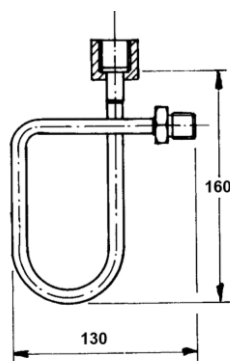
They are studied for avoiding fluid hammers and lower the process fluid temperature. They are made welding the connections to the seamless tube.

单位：毫米

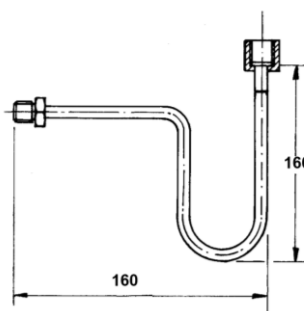
PIGTAILS



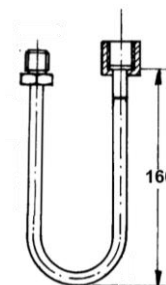
CROSSED SYPHON



“U TYPE” SYPHON



“U TYPE” SYPHON



Available also at 90° c

## Materials table

Copper tube and brass connections, silver-alloy welding, max working pressure 25 bar

Chromed steel tube and connection with TIG welding, max working pressure 100 bar

Stainless steel 304 or 316 tube and connections with TIG welding, max working pressure 100 bar

## Connections

1/2 BSP M-F

3/8 BSP M-F

1/4 BSP M-F

Available NPT connections, also in combination with BSP connections.



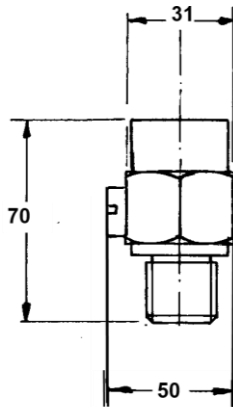
安德鲁信重工江苏有限公司

地址：江苏省江阴市澄江东路3号 电话：0510-86199978 86199979 传真：0510-86199980  
网址：www.andrewen.com www.andrewen.net 邮箱：info@andrewen

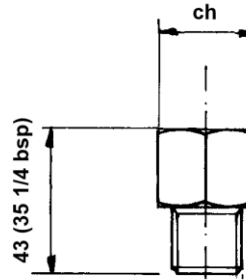
# DAMPENERS

Designed for protecting the pressure measuring instruments from the effects of the pressure surge and pulse. They are available in brass, steel and 316 stainless steel.

NEEDLE DAMPENER



POROUS DAMPENER

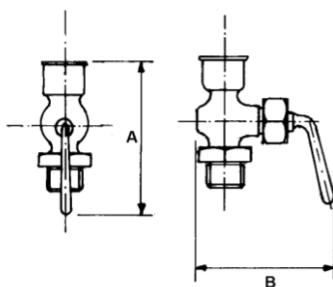


ch. 1/2 BSP	ch. 3/8 BSP	ch. 1/4 BSP
27	24	17

# BRASS 2-3 WAYS COCKS

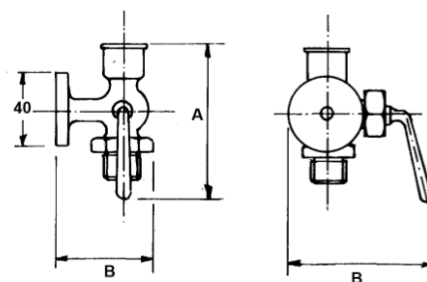
Used for interception, this model at 3 ways with flange DN 40 is studied for the gauge mounting. Max working pressure 10 bar.

2 WAYS COCK



Thread	A	B
1/2 BSP	90	83
3/8 BSP	90	83
1/4 BSP	80	60

3 WAYS COCK



Thread	A	B
1/2 BSP	90	80
3/8 BSP	90	80
1/4 BSP	90	75

单位: 毫米



安德鲁信重工江苏有限公司

地址: 江苏省江阴市澄江东路3号 电话: 0510-86199978 86199979 传真: 0510-86199980  
 网址: www.andrewen.com www.andrewen.net 邮箱: info@andrewen

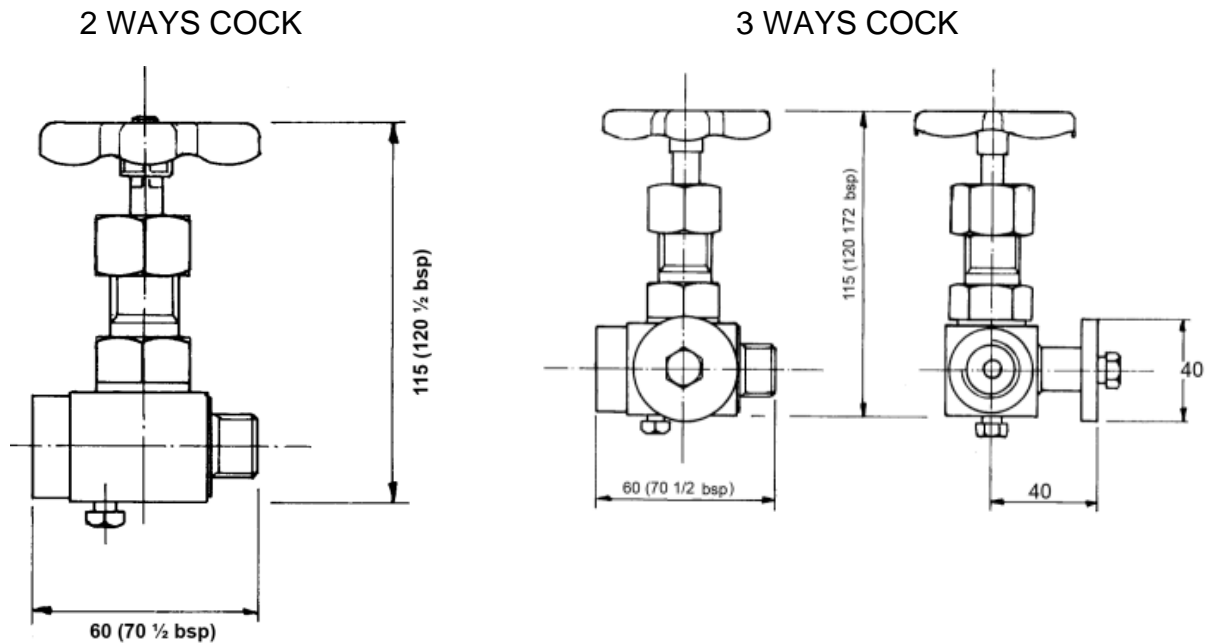
## COCKS WITH BLEED SCREW

Used for interception and pressure adjustment.

They are equipped with bleed screw and flange DN 40 (3 ways).

They are available with body and plug in nickel-plated steel or AISI 316 stainless steel.

Max working pressure 400 bar.



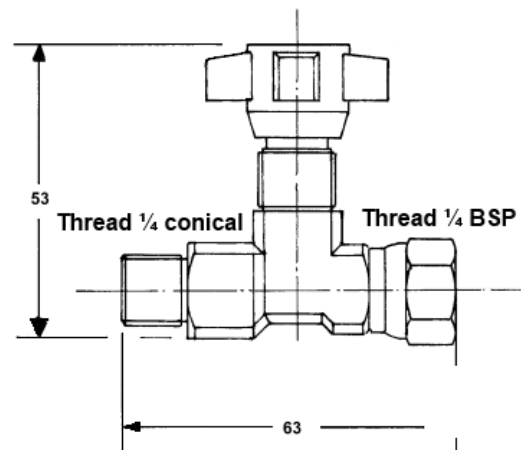
## NICKEL-PLATED STEEL 2 WAYS COCK

Designed for protecting the gauges since they have the double function of dampening pressure surge during the opening and of isolating entirely the instrument. Max working pressure 400 bar.

**Body:** nickel-plated steel

**Plug:** AISI 420

**Hand wheel:** ABS



单位: 毫米

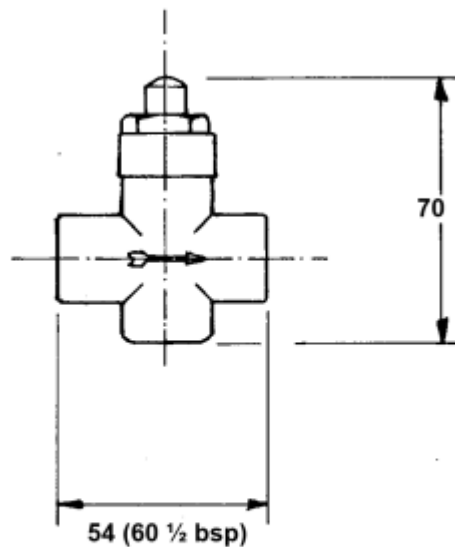


安德鲁信重工江苏有限公司

地址: 江苏省江阴市澄江东路3号 电话: 0510-86199978 86199979 传真: 0510-86199980  
网址: www.andrewen.com www.andrewen.net 邮箱: info@andrewen

## TWO WAYS PUSH-BUTTON ISOLATOR IN NICKEL-PLATED BRASS

Mounted on low pressure gauges, the isolator is equipped with vent hole. Available with Fem. - Fem. 1/4 , 3/8 and 1/2 BSP. Max working pressure max. 6 bar



单位：毫米



安德鲁信重工江苏有限公司

地址：江苏省江阴市澄江东路3号 电话：0510-86199978 86199979 传真：0510-86199980  
网址：www.andrewen.com www.andrewen.net 邮箱：info@andrewen